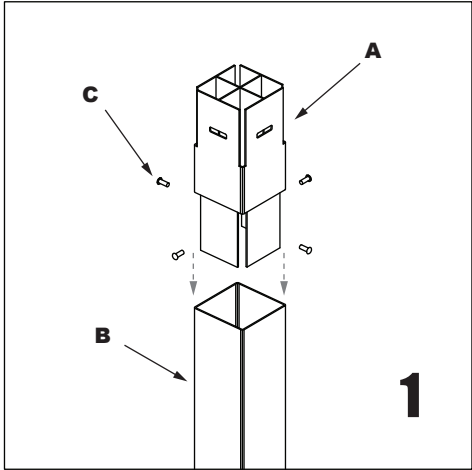


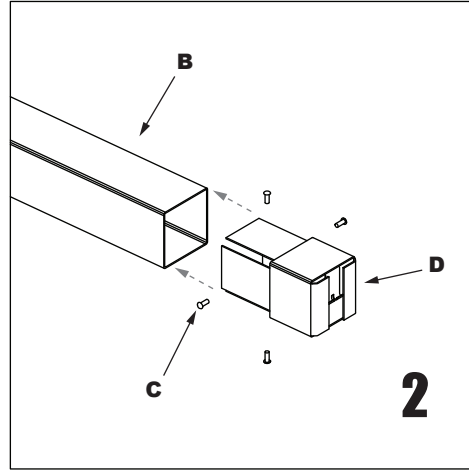


**ZERO**  
DAMAGE

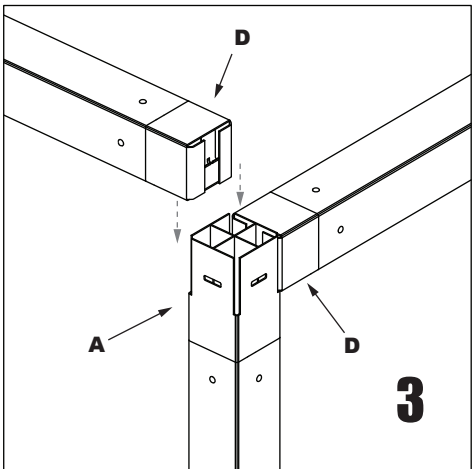
**THE INTERJOINT®**  
ASSEMBLY INSTRUCTIONS



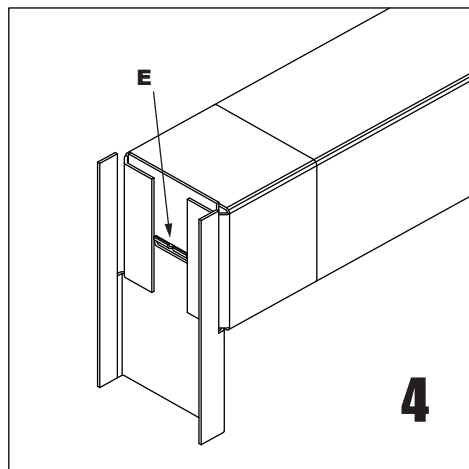
Insert Terminal **A** completely up to the column steel tube **B** indentation and secure with screws **C**.



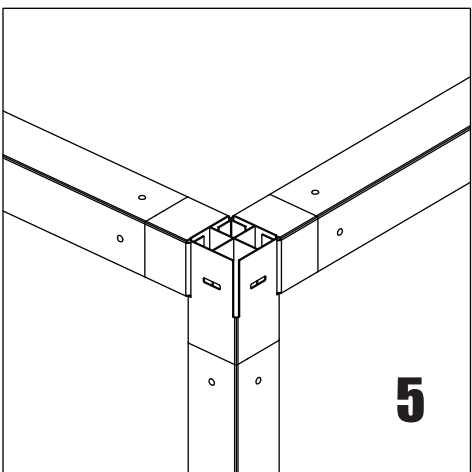
Insert Bracket **D** completely up to the steel tube **B** indentation and secure with screws **C**. Keep Bracket orientation at both ends of the beam tube.



Interlock the beam Brackets **D** with the column Terminals **A** channeling them into the Terminals flanges. Be careful with the Brackets orientation!



Push down each Bracket completely until interlocks and seats on the Terminal. Be sure the Latch **E** is on the inner side of the Terminal to prevent the beam from slipping out.



For better performance, use galvanized steel tubes 3in. x 3in. - gauge 16 or gauge 14.



**CAUTION:** This interlocking connector is intended for light steel framing for temporary structures. It is not recommended for permanent structures subjected to seismic loads or wind gust.



**BEWARE** of Hand Injury!

Contact us at [www.zerodam.com](http://www.zerodam.com) for more information about this product. [info@zerodam.com](mailto:info@zerodam.com)