

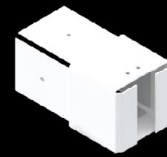


INTERJOINT

The Easiest Way to Build



TERMINAL

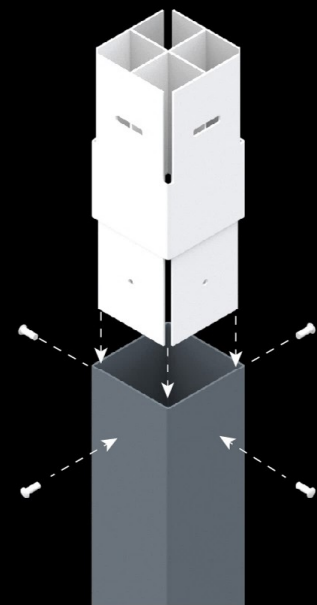


BRACKET



SCREWS

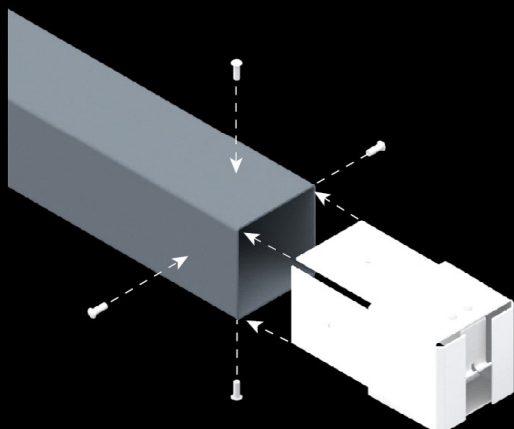
1



Insert the TERMINALS in the 3" x 3" Gauge 16 Galvanized Steel Tubes to be set as columns/post. Screw on all four (4) sides.

IMPORTANT: Galvanized Steel Tubes are **NOT INCLUDED**. For best installation, is recommended to use 3" x 3" Gauge 16.

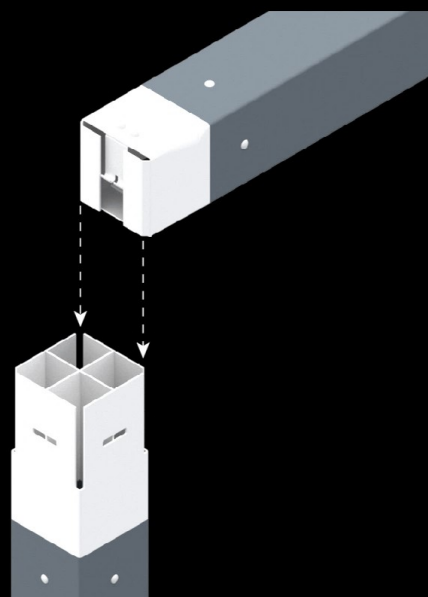
2



Insert the BRACKET in the 3" x 3" Gauge 16 Galvanized Steel Tubes to be set as beams. Screw on all four (4) sides.

Notice that the BRACKET orientation should be as illustrated at both ends of the beam to install properly.

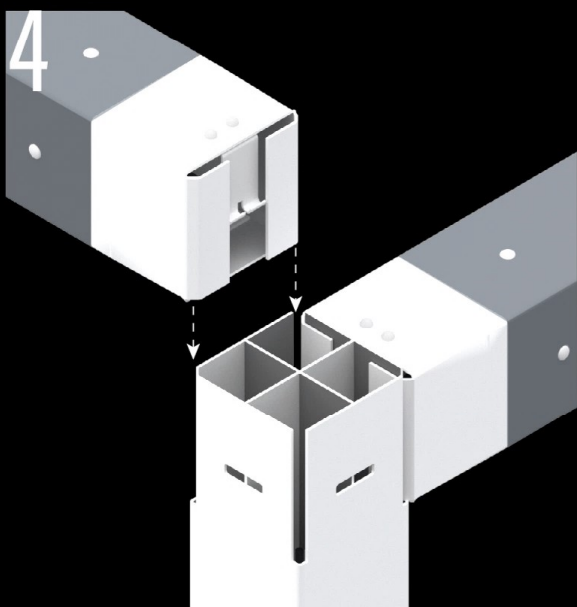
3



Install the beam's BRACKET in the column's TERMINAL channeling the bracket's face into the terminal's face.

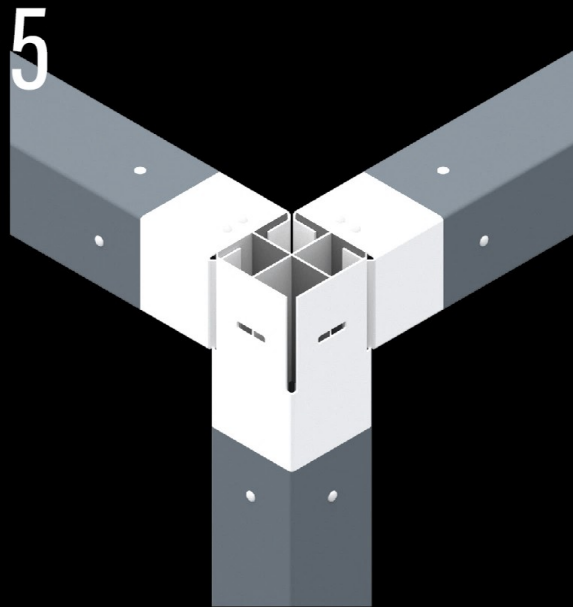
Notice that each BRACKET would add 2.5" to the beams's length. Then, brackets at both tube's end would add a total 5" to the beam span between columns.

4



Push the beam's bracket downward until interlocks and seats on the terminal.

5



Make sure the beams BRACKET cannot slips in the upward direction.



BEWARE of hand injury during installation.



CAUTION: This interlocking connection is intended for light steel framing for temporary structures. It is not recommended for permanent structures subjected to seismic loads or wind gust.